

Description

- Cartridge Balanced Design
- Monolithic seal face (Special shape design)
- Rotation: CW, CCW
- Single Seal with Throttle Ring or Lip-Ring
- Flush, Quench, Drain connections
- Designed BLUESEAL

Technical Features

- Easy Installation
- Ideal for Standardizations
- Avoid damage during installation
- FLUSH, QUENCH, DRAIN with Throttle Ring (Type X/S)
- FLUSH, QUENCH, DRAIN with Lip-Ring (Type X/S-L)

Materials

- Rotary Seal: SiC (SS), SiC-XtraDiamond™ (SD), TC (TN)
- Stationary Seal: SiC (SS), SiC-XtraDiamond™ (SD), TC (TN), CAR (CR)
- Secondary seals: FKM (V), EPDM (E), FFKM-XtraLast™ (K)
- Springs: Hastelloy® C-4/C-2/C-276 (M)
- Metal Parts: 1.4404-316L (6L)
- Throttle Ring: PTFE-Carbon/Graphite
- Lip-Ring: NBR/FKM
- *Special Materials under request*

Performance Capabilities

- Sizes: from 25mm up to 100mm
- Temperature: from -40°C to +280°C (depending O-Ring resistance)
- Pressure: up to 25bar (depending PV Factor)
- Speed: up to 16m/s (depending PV Factor)
- Quench/Drain (Type Q/S-T): unpressurized fluid (Water/Steam)
- Quench/Drain (Type Q/S-L): fluid up to 1bar (Water/Steam/Oil)
- Ready for API Plan: 11/13/21/31/32/51/61/62/65

Standards

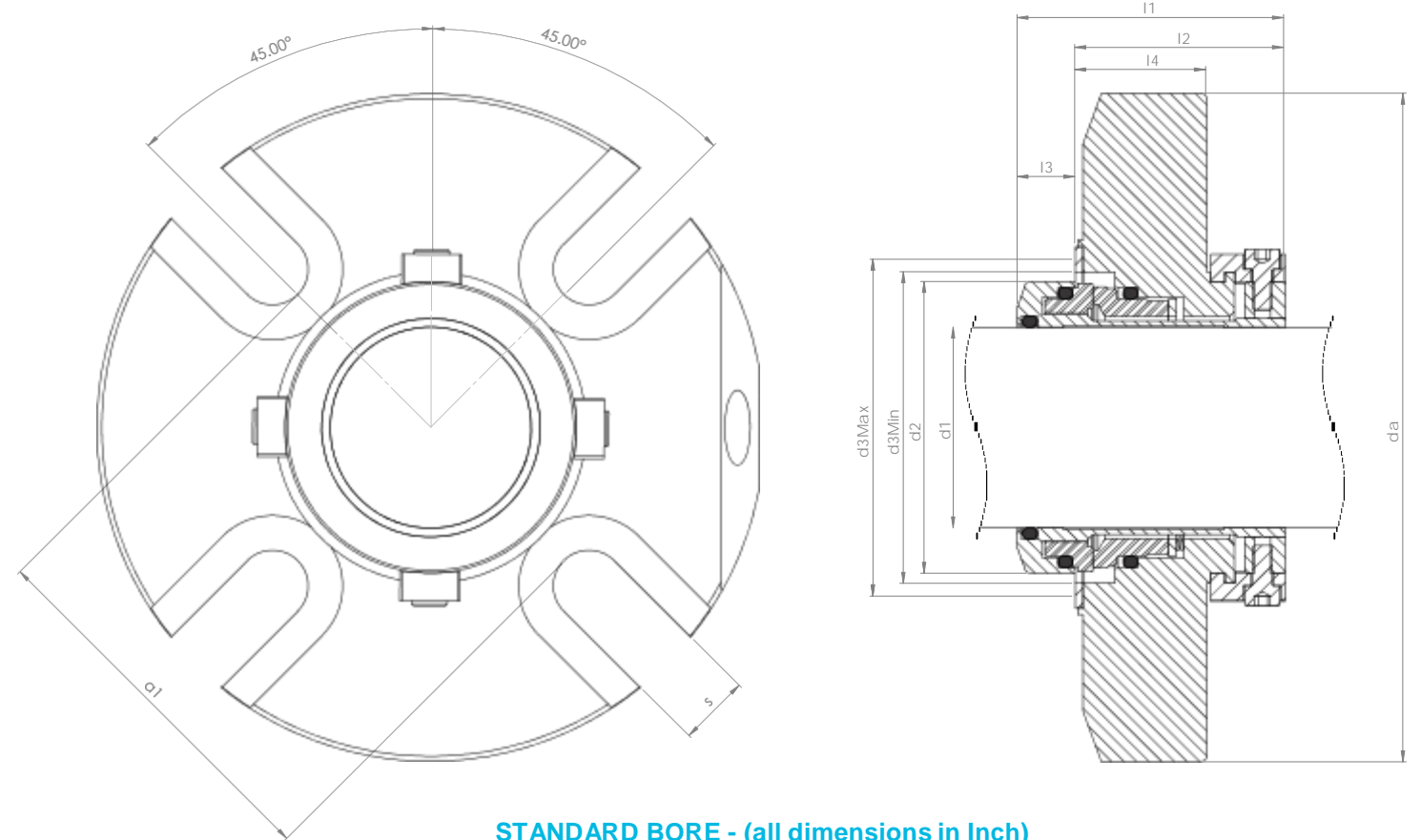


Manufacturing according to ISO 9001/14001
Dimension according to EN-ISO 3069
For pumps: EN-ISO 2858 and EN-ISO 5199
Optionals: FDA, ATEX, *Others under request*

Industrial Applications

- Chemical Industry
- Food and Beverage Industry
- Petrochemical Industry
- Pharmaceutical Industry
- Water and Waste Water
- Centrifugal Pumps
- Process Pumps

Installation, Details, Options



STANDARD BORE - (all dimensions in Inch)

d1 inch	d2	d3 min	d3 max	l1	l2	l3	l4	a1	da	s	FLUSH	Q/D
1,000	1,693	1,732	2,205	2,618	1,988	0,630	1,142	2,441	3,937	0,433	3/8 NPT	1/4 NPT
1,125	1,811	1,850	2,205	2,618	1,988	0,630	1,142	2,441	4,134	0,433	3/8 NPT	1/4 NPT
1,250	1,969	2,008	2,402	2,618	1,988	0,630	1,142	2,756	4,252	0,433	3/8 NPT	1/4 NPT
1,375	2,087	2,126	2,402	2,618	1,988	0,630	1,142	2,756	4,252	0,433	3/8 NPT	1/4 NPT
1,500	2,205	2,244	2,717	2,618	1,988	0,630	1,142	2,953	4,488	0,559	3/8 NPT	1/4 NPT
1,625	2,382	2,421	2,795	2,618	1,988	0,630	1,142	3,091	4,921	0,559	3/8 NPT	1/4 NPT
1,750	2,461	2,520	2,953	2,618	1,988	0,630	1,142	3,228	5,118	0,559	3/8 NPT	1/4 NPT
1,875	2,579	2,638	3,071	2,618	1,988	0,630	1,142	3,307	5,118	0,559	3/8 NPT	1/4 NPT
2,000	2,677	2,717	3,189	2,618	1,988	0,630	1,142	3,425	5,472	0,630	3/8 NPT	1/4 NPT
2,125	2,874	2,913	3,583	2,618	1,988	0,630	1,142	3,819	5,472	0,630	3/8 NPT	1/4 NPT
2,250	2,953	2,992	3,583	2,618	1,988	0,630	1,142	3,858	5,866	0,630	1/2 NPT	1/4 NPT
2,375	3,071	3,110	3,583	2,618	1,988	0,630	1,142	3,858	6,181	0,709	1/2 NPT	1/4 NPT
2,500	3,209	3,248	3,937	2,618	1,988	0,630	1,142	4,528	6,654	0,709	1/2 NPT	1/4 NPT
2,625	3,339	3,386	4,016	2,618	1,988	0,630	1,142	4,528	6,654	0,709	1/2 NPT	3/8 NPT
2,750	3,661	3,740	4,370	2,618	1,988	0,630	1,142	4,646	7,441	0,709	1/2 NPT	3/8 NPT
3,000	3,858	3,937	4,724	2,913	2,028	0,886	1,181	5,000	7,835	0,709	3/4 NPT	3/8 NPT
3,250	4,193	4,252	4,921	2,913	2,028	0,886	1,181	5,315	7,835	0,709	3/4 NPT	3/8 NPT
3,750	4,685	4,764	5,433	2,913	2,028	0,886	1,181	5,827	8,189	0,866	3/4 NPT	3/8 NPT

BIG BORE - (all dimensions in inch)

d1 inch	d2	d3 min	d3 max	l1	l2	l3	l4	a1	da	s	FLUSH	Q/D
1,125	1,811	1,850	2,795	2,618	1,988	0,630	1,004	3,307	4,488	0,500	3/8 NPT	1/4 NPT
1,375	2,087	2,126	3,189	2,618	1,988	0,630	1,004	3,543	5,118	0,500	3/8 NPT	1/4 NPT
1,750	2,461	2,520	3,661	2,618	1,988	0,630	1,004	4,134	5,709	0,559	3/8 NPT	1/4 NPT
1,875	2,579	2,638	3,937	2,618	1,988	0,630	1,004	4,409	5,984	0,559	3/8 NPT	1/4 NPT
2,000	2,677	2,717	4,409	2,618	1,988	0,630	1,004	4,882	6,260	0,559	3/8 NPT	1/4 NPT
2,125	2,874	2,913	4,803	2,618	1,988	0,630	1,004	5,276	6,890	0,709	3/8 NPT	1/4 NPT
2,250	2,953	2,992	4,921	2,618	1,988	0,630	1,004	5,394	7,008	0,709	1/2 NPT	1/4 NPT
2,500	3,209	3,248	5,039	2,618	1,988	0,630	1,004	5,512	7,402	0,709	1/2 NPT	1/4 NPT
2,625	3,339	3,386	5,039	2,618	1,988	0,630	1,004	5,512	7,402	0,709	1/2 NPT	3/8 NPT
2,750	3,661	3,740	5,039	2,618	1,988	0,630	1,004	5,512	7,480	0,709	1/2 NPT	3/8 NPT
3,000	3,858	3,937	5,433	2,913	2,028	0,886	1,004	5,906	8,228	0,866	3/4 NPT	3/8 NPT

Additional technical & dimensional information will be provided on request.